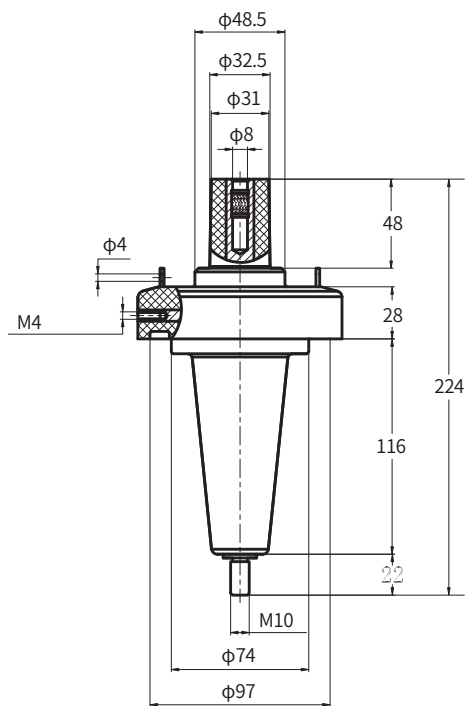


WETGZ-24/250

250A Apparatus Bushing

Features

- Manufactured from high quality epoxy resin
- Meeting requirements of EN 50180 & EN 50181 type A
- 100% factory tested
- Tested in compliance with GB/T 4109 (IEC60137 6.0)



Dimension: mm

Technical Data

Voltage Class	12kV	24kV
Continuous Current	250A	250A
AC Withstand Voltage	42kV for 1min	65kV for 1min
Partial Discharge	13.2kV, 10pC	26.4kV, 10pC
Impulse Withstand Voltage (10 times for each polarity)	75kV	125kV