

Inner Cone Busbar Kits

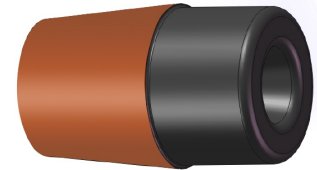
Inner cone busbar kits are suitable for the combined connection of ring main units to supply more branches for extension. Meanwhile, it is a prior option to combined ring main units.



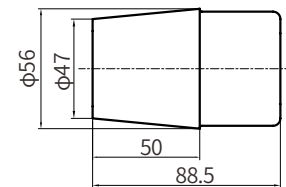
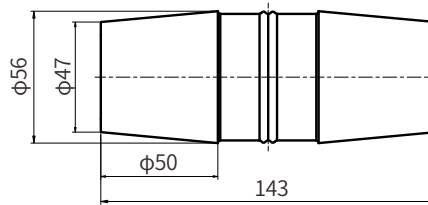
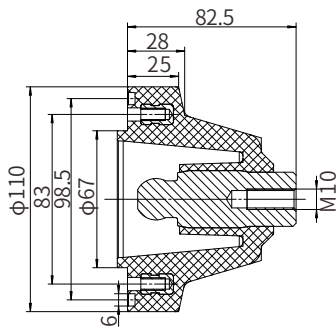
Inner Cone Busbar Insulator
Part No. GBCK-TG



Inner Cone Busbar Connector
Part No. GBCK-L



Inner Cone Busbar Plug
Part No. GBCK-M



Dimension: mm

Technical Data

Item	Inner Cone Busbar Kits
Voltage Class	15kV
Rated Current	630A
AC Withstand Voltage	48kV for 1min
Partial Discharge	15kV, $\leq 10\text{pC}$
Impulse Withstand Voltage (15 times for each polarity)	95kV
Screen Resistance	$\leq 5000\Omega$
Temperature rise	$\leq 65\text{K}$