

72.5kV-126kV Dry Plug-in Composite Termination



Type/Applications:

WYJZWFGC4:

In accordance with outdoor pollution class IV requirements

Max.system voltage: 72.5kV, applicable to 120~800mm²

Max.system voltage: 126kV, applicable to 240~800mm²

Features:

1. Rain sheds made of silicone rubber, outstanding in properties of anti-pollution flashover, anti-UV, anti-ageing and anti-explosion;
2. 1/3 of cable connecting length compared with that of regular outdoor termination, significantly saving installation time.
3. Plug-in connection between termination and cables provides more convenient installation and maintenance.
4. Dry design eliminates risks of oil or gas leakage
5. Type tested according to IEC 60840, GB/T11017.

Notice When Ordering:

1. Cable configuration and the cross-sectional area of earth wire shall be submitted when ordering.
2. Feel free to contact our sales manager before ordering if you have any special requirements.

Cable Lug Palm Specification of Dry Plug-in Termination

Max.system Voltage	Cable nominal cross-section	Lug hole distance C (mm)	Connecting hole of lug Q (mm)	Palm width of cable lug D (mm)	Palm length of cable lug L (mm)
72.5kV	120 mm ² -400mm ²	35	14	63	80
	500 mm ² -800mm ²	45	14	80	100
126kV	240mm ² -400mm ²	35	14	63	80
	500mm ² -800mm ²	45	14	80	100

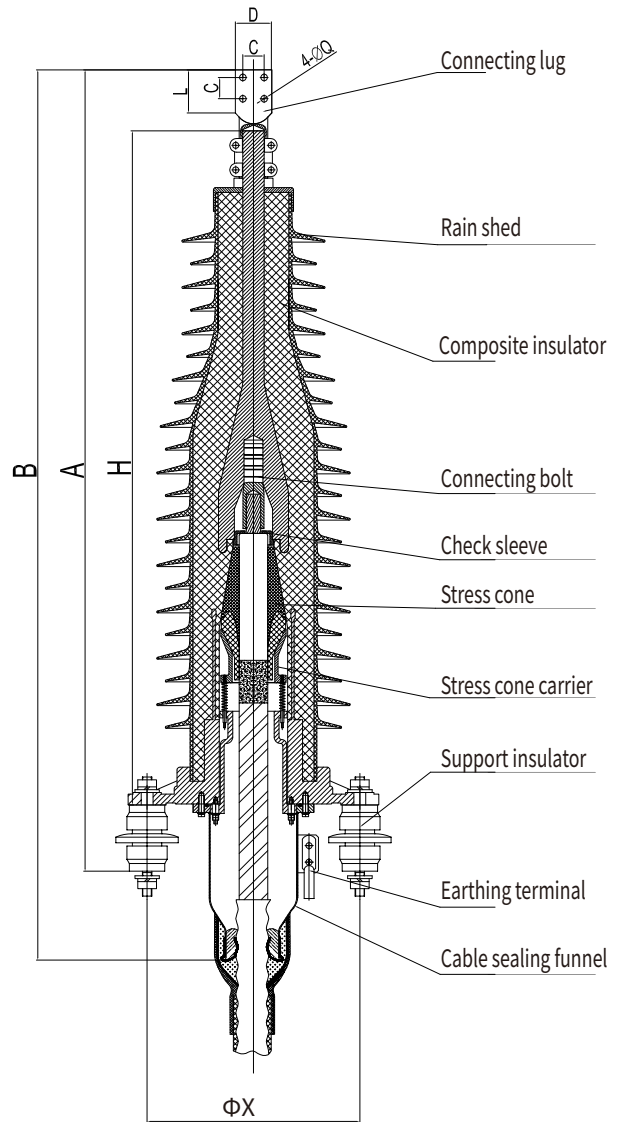
Base Plate Mounting Dimension

Max.system Voltage	N(mm)	M(mm)	K(mm)	U(mm)	X(mm)
72.5 kV-126 kV	21	30	270	318	450

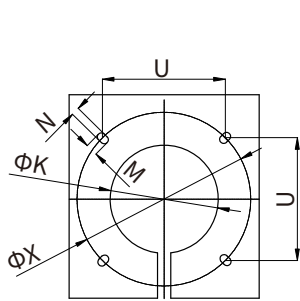
Outline Dimension

Max.system Voltage	H(mm)	A(mm)	B(mm)
72.5 kV	1420	1715	1930
126 kV	1420	1715	1930

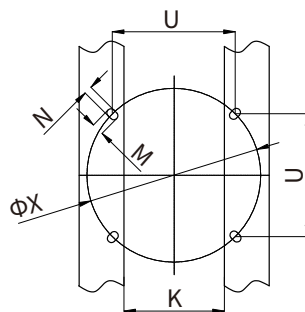
Structure Diagram



Base Plate Mounting Dimension



Flat Plate



Steel Channel