

72.5kV-252kV Assembled Dry GIS Termination

Type/Applications:

WYJZGG: Indoor only

Max.system voltage:

72.5kV, applicable to 120~1600mm²

Max.system voltage:

126kV, applicable to 240~1600mm²

Max.system voltage:

145kV, applicable to 240~1600mm²

Max.system voltage:

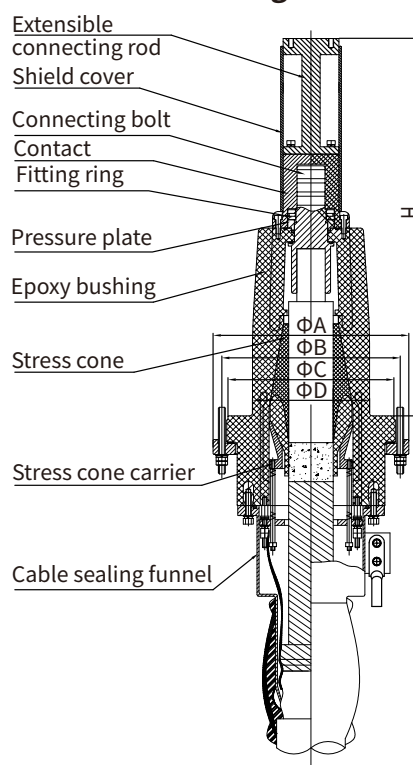
252kV, applicable to 400~2500mm²



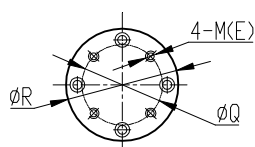
Features:

1. Stress cone is injection-molded by imported EPDM rubber. Secured by the spring cone carrier, our stress cone is designed with a stress cone cover so as to be isolated from insulated agent (avoiding poor contact between stress cone and cable outer semi-conductive layer or elastic relaxation due to stress cone ageing) ensures excellent electrical property.
2. Dry design eliminates risks of oil or gas leakage
3. Compact design with lightweight and small volume significantly saves mounting space.
4. Type tested according to IEC 60840, GB/T11017, IEC 62067, GB/T18890.

Structure Diagram:



Top Mounting Dimension



Outline Dimension

Max.system Voltage	A (mm)	B (mm)	C (mm)	D (mm)	E (mm)	H (mm)	Q (mm)	R (mm)
72.5kV	300	270	245	185	10	310/583	80	110
126kV	350	320	298	210	10	470/757	80	110
145kV	350	320	298	210	10	470/757	80	110
252kV	500	475	454	340	12	620	110	160
252kV	620	582	559	340	12	960	110	200

Notice When Ordering:

1. Cable configuration and the cross-sectional area of earth wire shall be informed when ordering.
2. All GIS termination and GIS composite apparatus produced in our company are strictly in accordance with IEC 62271-209 and GB/T 22381. When ordering, please submit relevant information including executive standards and interface height or assembly drawing of GIS composite apparatus to ensure correspondent dimension matches up.